

ELECTRIC HAND TOOL ACCESSTYLE

ANGLE GRINDER Model DS-A/185-1200W/SBS

USER MANUAL



Dear buyer! Thank you for purchasing an Accesstyle brand tool. All our products are manufactured to the highest quality requirements.

We hope that our tool will fully meet your expectations.

For long life, efficient and safe operation, please read this manual carefully and keep it for future reference.

When purchasing a product:

- require checking its operability by trial closing, as well as completeness, according to the delivery set given in this manual;
- make sure that the warranty card is properly executed, contains the date of sale, the stamp of the store and the signature of the seller;

Attention! Power tools are hazardous equipment. To avoid electric shock, fire and/or serious injury you need STRICTLY respect the warnings and instructions. Read all safety warnings and all instructions before operating a power tool. Save all warnings and instructions for future reference

General Power Tool Safety Warnings

Work area safety

Keep work area clean and well lit. Cluttered or dark areas invite accidents.

Do not operate power tools in explosive atmospheres, such as in the presence of flammable liquids, gases or dust. Power tools create sparks which may ignite the dust or fumes.

Keep children and bystanders away while operating a power tool.

Distractions can cause you to lose control and injury.

Electrical safety

Power tool plugs must match the outlet; check the operability of the cable, plug and socket; in case of failure of these parts, further operation is prohibited.

The double-insulated tools can be used from sockets without a third earth wire. Power tools without double insulation must be connected to a grounded socket.

Avoid body contact with earthed or grounded surfaces, such as pipes, radiators, ranges and refrigerators. There is an increased risk of electric shock if your body is earthed or grounded. If operating a power tool in a damp location is unavoidable, use a residual current device (RCD) protected supply that shuts off the power tool in case of a leak. Use of electrician's rubber gloves and special shoes reduces the risk of electric shock.

Do not expose power tools to rain or wet conditions. Water entering a power tool will increase the risk of electric shock

Do not abuse the cord. Never use the cord for carrying, pulling or unplugging the power tool. Keep cord away from heat, oil, sharp edges and moving parts. Replace damaged cords immediately. Damaged or entangled cords increase the risk of electric shock. When operating a power tool outdoors, use an extension cord suitable for outdoor use.

Personal safety

Stay alert when operating a power tool. Do not use a power tool while you are tired or under the influence of drugs, alcohol or medication. A moment of inattention while operating power tools may result in serious personal injury.

Dress properly. Keep your hair, clothing and gloves away from moving parts. Loose clothes, jewelry or long hair can be caught in moving parts. Keep handles dry, clean and free from oil and grease.

Prevent unintentional starting. Ensure the switch is in the off-position before connecting to power source. Carrying power tools with your finger on the switch invites accidents.

Remove any adjusting key or wrench before turning the power tool on. A wrench or a key left attached to a rotating part of the power tool may result in the tool damage or serious injury.

Keep proper footing and balance at all times. This enables better control of the power tool in unexpected situations.

Use personal protective equipment. Always wear eye protection. Protective equipment such as dust mask, non-skid safety shoes, hard hat, or hearing protection used for appropriate conditions

Power tool use and care

Use clips, adjusting clamps, a vice clamps, or other method to securely hold the workpiece. Holding the part with your hand or body is not secure and could result in loss of control, tool breakage, or injury.

Do not force the power tool. Use the correct power tool for your application. The correct power tool will do the job better and safer at the rate for which it was designed

Do not use the power tool if the switch does not turn it on and off. Any power tool that cannot be controlled with the switch is dangerous and must be repaired.

Disconnect the plug from the power source and/or the battery pack from the power tool before making any adjustments, changing accessories, or storing power tools. Such preventive safety measures reduce the risk of starting the power tool accidentally.

Store idle power tools out of the reach of children and do not allow persons unfamiliar with the power tool or these instructions to operate the power tool. Power tools are dangerous in the hands of untrained users.

Keep cutting tools sharp and clean. Properly maintained cutting tools with sharp cutting edges are less likely to bind and are easier to control. Any change or modification is prohibited as this may result in damage to the power tool and/or personal injury.

Maintain power tools. Check for misalignment or binding of moving parts, breakage of parts and any other condition that may affect the power tool's operation. If damaged, have the power tool repaired before use. Many accidents are caused by poorly maintained power tools. Work out a periodic service schedule for your power tool.

Do not use accessories which are not specifically designed and recommended by the tool manufacturer. Just because the accessory can be attached to your power tool, it does not assure safe operation.

Service

Have your power tool serviced by a qualified repair person in authorized service centers. Maintenance performed by unqualified person may cause tool breakage and injury.

Do not use corrosive chemicals or liquids to clean the body parts. Use of some cleaning agents such as gasoline, ammonia, etc. cause damage to plastic parts.

When servicing a power tool, use only recommended replacement consumables, attachments, and accessories. Use of non-approved consumables, attachments, and accessories may result in damage to the power tool or personal injury.

CIRCULAR SAW SAFETY WARNINGS

Attention! Operate circular saw with vigilance!

Read all Illustrations, specifications, safety warnings and all instructions provided with the tool. Failure to follow the warnings and instructions may result in electric shock, fire and/or serious injury.

Circular saw is intended for performing lengthways and crossways straight cuts and mitre cuts with angles in wood while in firm contact with the workpiece.

A circular saw ("saw", "tool", "power tool", "product") is designed for cutting wood of different tree species and wood products by rotating a replaceable round disk (saw blade) with a cutting edge. Operations for which the power tool was not designed may create a hazard and cause personal injury.

While working, hold the saw firmly with both hands. Use confident grip of the palm and thumb to hold the handles tight. Maintain a firm grip with both hands on the saw and position your arms to resist kickback forces.

Keep stable position all the time. Do not work on unstable ground. Avoid objects that can get in the way and that you can trip over.

Never cut above shoulder level. Never saw while standing on a ladder. Do not work in an excessively inclined position.

Position your body to either side of the blade, but not in line with the blade.

Work only in good visibility and good lighting.

After releasing the start button, the saw blade may move for some time due to the effect of inertia.

During work breaks the saw should be turned off and positioned so that it does not endanger anyone's safety.

Inspect lumber for possible obstacles in the workpiece (nails, screws) before cutting. If the saw blade comes into contact with such hard objects, turn off the engine immediately and check the device.

Check lower guard for proper closing before each use. Do not operate the saw if lower guard does not move freely and close instantly. Never clamp or tie the lower guard into the open position. Raise the lower guard with the retracting handle and make sure it moves freely and does not touch the blade or any other part, in all angles and depths of cut. Check the operation of the lower guard spring. Lower guard may operate sluggishly due to damaged parts, gummy deposits, or a build-up of debris.

Lower guard may be retracted manually only for special cuts such as "plunge cuts" and "compound cuts". Raise lower guard by retracting handle and as soon as blade enters the material, the lower guard must be released. For all other sawing, the lower guard should operate automatically.

In case of a sudden stop (jamming of moving parts, etc.) - immediately turn off the electric saw!

Attention! When stopped abruptly, kickback may occur, causing the saw blade to jump backwards.

When blade is binding, or when interrupting a cut for any reason, release the trigger and hold the saw motionless in the material until the blade comes to a complete stop.

Never attempt to remove the saw from the work or pull the saw backward while the blade is in motion or kickback may occur. Investigate and take corrective actions to eliminate the cause of blade binding.

When restarting a saw in the workpiece, centre the saw blade in the kerf and check that saw teeth are not engaged into the material.

Do not use dull or damaged blades. Unsharpened or improperly set blades produce narrow kerf causing excessive friction, blade binding and kickback.

Tighten the cutting depth and bevel adjusters before starting to cut. If the settings are changed while sawing, the saw blade binding and kick back may happen.

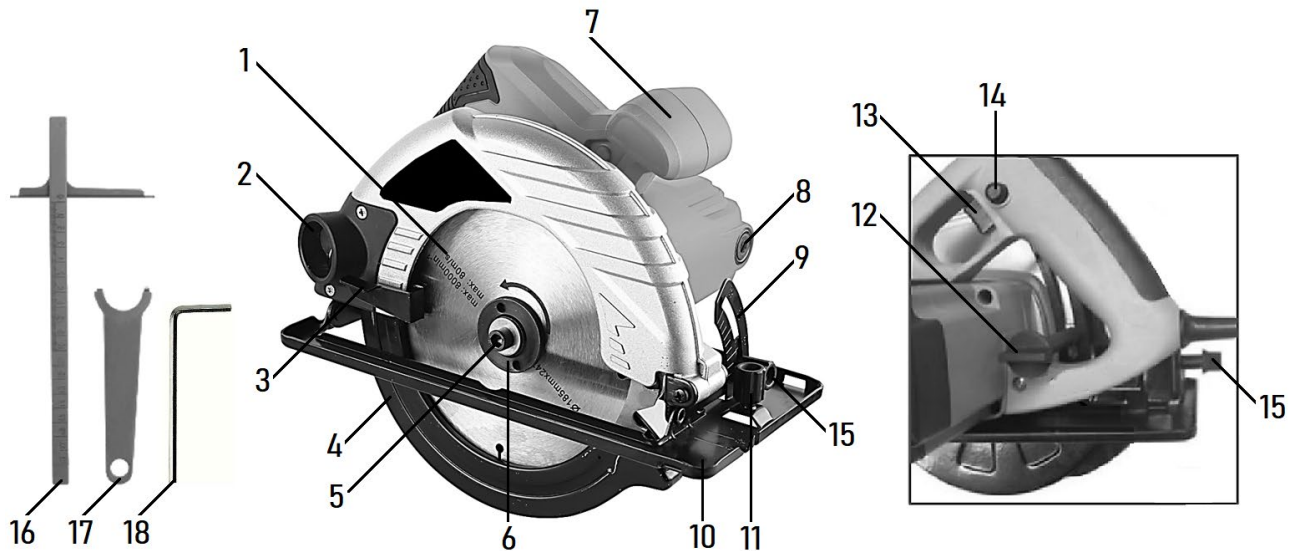
The mains socket must fully match the mains plug. It is not recommended to use different adapters (connectors), but to install the necessary socket.

Do not abuse the cord. Never use the cord for carrying, pulling or unplugging the power tool. Keep cord away from heat, oil, sharp edges and moving parts. Avoid squeezing the cable with a door, fence or other metal objects that conduct electricity, and do not press the cable against them. Check the saw and power cable before use. Replace damaged cords immediately. Repair of the power cable must be carried out by a specialist in the service center.

For off-grid operation, use commercially available standard extension cords. Make sure the extension cord

When using a reeled extension cable, pull out the cable to its full length to avoid inductive resistance. With a large length and insufficient cross-section of the supply wires, an additional voltage drop occurs, which leads to problems in the operation of the electric motor. Therefore, for the normal functioning of the tool, a sufficient cross-section of the supply wires is necessary.

BRIEF DESCRIPTION OF THE PRODUCT



1. Saw blade	10. Working platform
2. Outlet for removing sawdust	11. Mounting screw of the guide fence
3. Protective cover handle	12. Fixing screw for adjusting the depth of cut
4. Protective cover	13. Start button
5. Drive screw	14. Start button lock
6. Clamping flange	15. Fixing screws for the angle cutter
7. Handle	16. Guide fence
8. Compartment for changing brushes	17. Removable key
9. Angle cutting degree scale	18. Hex Key

Technical characteristics:

Engine's type	electric, collector with copper winding
Power type	from the mains 110-220V/50 Hz
Housing material (plastic, metal)	plastic
Bore diameter	20 mm
Disc diameter	185 mm
Max. idle speed	6500 rpm
Max depth of cut at 90 degrees	65 mm
Max depth of cut at 45 degrees	40 mm
Disk Protection	Yes
Power button lock	Yes
Connecting a vacuum cleaner	Yes

Maintaining a constant number of revolutions	Yes
Guide bar	Yes
Rated power	1200 W
Network cable length	2 m
Socket type	VDE socket

APPLICATION AREA

Electric circular saw is a hand tool equipped with an electric motor intended to make straight cuts in wood and other hard materials by rotating a round disk with a cutting edge. The circular saw is equipped with an electric cable and a plug, connects to the mains and operates on 220V voltage.

POWER SUPPLY

Before starting work, make sure that the mains voltage corresponds to the characteristics indicated on the stickers on the product case. Do not connect the tool to a power supply greater than 240 V.

PREPARATION FOR WORK AND OPERATION

After transporting the electric saw in winter conditions, if it is turned on indoors, it is necessary to keep it at room temperature for at least 3 hours until the moisture on the tool dries completely.

Carry out depreservation: wipe the surfaces covered with conservation oil with a cleaning material.

Visually inspect the condition of the saw, network cable.

Check the rotation of the shaft with the working tool (rotation by hand must be free), the presence and serviceability of the protective covers (the movable cover (10), retracted to the stop or at an arbitrary angle, must vigorously return to its original position after it is released).

Check the operation of the switch (with the saw turned off), its operation should be clear, without jamming in the extreme positions.

Check the operation of the saw at idle by making several test runs. In case of malfunctions, contact the service center.

OPERATING PROCEDURE

- To turn on the electric saw, press the start button (13), while holding the saw securely with your hands, since when turned on, the tool jerks. To turn off the saw, the button (13) must be released.
- To perform the sawing operation, turn on the saw at idle speed and after the saw blade has reached full speed, start working.
- To fix the power button in the permanent mode of operation, hold down the lock button (14)
- The depth of cut is set by raising or lowering the movable part of the electric saw relative to the working platform (10). By loosening the fixing screw (12), you can move the base freely up and down, using this function the base can be pre-set to the desired depth of cut and then locked in the position by tightening the screw firmly.
- To cut at an angle to the lumber's surface, the movable part of the electric saw must be turned at an angle to the base. The angle of inclination of the saw blade is controlled by a degree scale (9). Fixing the angle of inclination of the movable part is fixed by screws (15)
- To make a cut parallel to the base edge of the lumber, it is necessary to install the guide fence (16) in a special slot and fix it with a screw (11) to the required sawing width
- To remove the saw blade, proceed as follows:
 - 1) Place both hooks of the removable key (17) into the holes of the clamping flange (6) and at the same time place the hex key into the hole of the drive screw (5)
 - 2) Loosen the drive screw (5) by turning the removable key counterclockwise.
 - 3) Remove the drive screw (5) and clamping flange (6), open the protective cover (4) by pulling the handle (3)

4) Remove the saw blade

- To install a new saw blade, follow the instructions in reverse order. The teeth of the saws must be directed in the direction of rotation of the blade, which is indicated by an arrow on the body of the saw.

OPERATION RECOMMENDATIONS

- When working, move the saw along the material with a constant feed, without distortion
- In case of jamming of the saw blade during sawing, the saw should be switched off immediately and the saw blade released. Then briefly turn on the saw at idle and check for sparking of the collector brushes. The presence of an all-round fire indicates the burning out of the engine and in this case the electric saw must be repaired. In the absence of an all-round fire, it is recommended to turn on the electric saw at idle for 15-30 seconds to accelerate the cooling of the engine, and then continue sawing.
- During operation, make sure that small cuttings do not get into the gap between the saw blade and protective cover. If this happens, you must unplug the saw from the mains and remove the trimmings with a wire hook.
- When working with an electric saw, monitor the material feed. Excessive supply leads to a drop in speed, overheating and premature failure of the electric motor and gearbox.
- After the saw blade comes out of the sawn material, immediately turn off the power supply with the power switch of the saw and wait for the saw blade to stop. It is forbidden to brake the saw blade by side pressing on any object.
- Periodically check the tightness of the saw blade fixing screw with the mains plug disconnected
- To prevent damage to the electric saw and obtain a high-quality cutting surface, set the cutting depth so that the saw blade protrudes from under the lumber no more than the height of the tooth (the less the tooth protrudes from the lumber, the smoother the cut surface).

AT THE END OF WORK

Disconnect the power saw from the mains, making sure that the switch is in the off position.

Clean the saw and accessories from sawdust and dirt. In case of severe contamination, wipe the electric saw with a damp cloth, which prevents moisture falling on the tool in the form of drops. After that, wipe the tool dry. It is forbidden to use for these purposes liquids, solutions, chemicals that have a negative effect on the body material, assemblies and parts of the saw (for example: acetone, solvents, acids, alkalis, etc.).

Ensure that the electric saw is stored at an ambient temperature of -15°C to +40°C and a relative humidity of no more than 80% (at an ambient temperature of 25°C).

In case of long breaks cover the outer metal components and parts with a layer of conservation grease.

SERVICE MAINTENANCE

Repair of the tool must be carried out only by qualified personnel at authorized service centers.

ATTENTION! The use of any accessories and attachments, or the performance of any operation other than those recommended in this manual, may result in injury or damage to the instrument.

ACCESSTYLE TRADEMARK PRODUCT WARRANTY TERMS.

1. All of the following warranty conditions are subject to the current legislation of the Russian Federation governing the sale of consumer goods.
2. The product warranty period starts from the date of original purchase and is 1 (one) year.
3. The service life of the product is 5 (five) years from the date of purchase or, in its absence, from the date of production, conditioned upon a full compliance with the storage conditions and operating rules, as well as the correct assembly and installation of the tool specified in this manual.
4. The warranty does not cover:
 - 4.1. Cables, adapters, accessories, covers, carrying cords, clips, holders of various types, packaging and documentation.
 - 4.2. Normal wear or damage to the outer surfaces of the product.
 - 4.3. Defects caused by moisture, dampness, extreme temperatures, microwave energy, pressure, shock, insects, animals, liquids, food, dust, chemicals.
 - 4.4. A product that has been repaired or modified by persons other than those specified in clause 5.
 - 4.5. A product that was not used for its intended purpose, as well as in violation of the operating rules set forth in the user manual.
 - 4.6. Defects caused by the use of incompatible equipment or accessories.
5. Warranty service is performed by organizations authorized for this - authorized service centers, the list of which is contained on the support page of the website <http://www.accesstyle.ru> and is available by phone 8-800-250-07-17. During the warranty period, the elimination of manufacturing defects is free of charge for the buyer upon presentation of the original completed warranty card and / or documents confirming the fact and date of purchase (cash receipt). Documents must contain the name of the product model, date of sale, details of the trading organization. In the absence of these documents, the authorized organization has the right to refuse warranty service.
6. The warranty period is extended by the maintenance period. The replacement of components, utilities or a complete set of the product does not lead to the establishment of new warranty periods for the entire product and the replaced parts.
7. Under no circumstances shall the Manufacturer, Importer and organizations authorized by him be liable for any special, incidental, direct or indirect damage or loss, including, but not limited to, lost profits, loss or inability to use information or data, costs of restoring information or data, losses caused by interruptions in business, production or other activities arising from the use or inability to use the Accesstyle product.